

ICD Series Crash Damper

NEW

IZMAC Crash Damper

DESCRIPTION

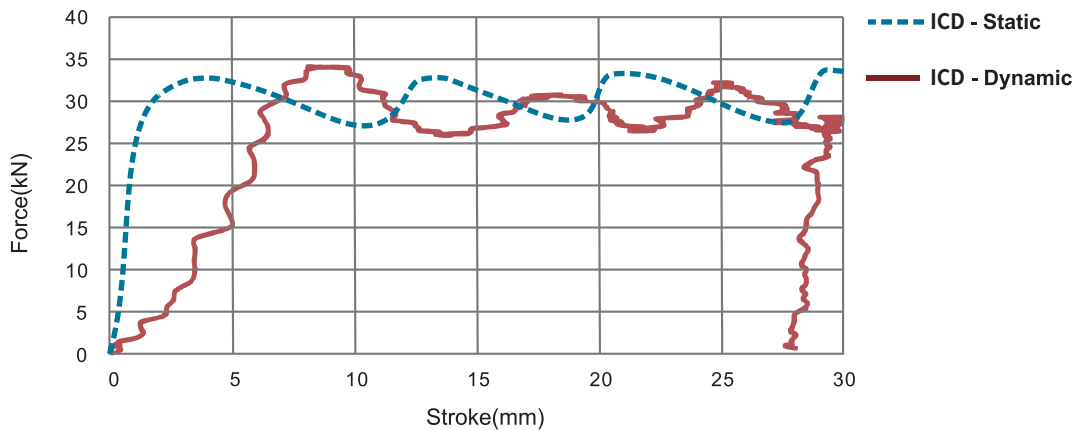
ICD has multi-steps bumpy shape and it absorbs shock energy on collision moment with compressing step by step. Engineered to maintain rather low peak & recoil force.

FEATURES

- 1 Shock absorption response function is steady and absorption efficiency is high.
- 2 It has multi-steps bumpy shape and it absorb shock energy on collision moment with compressing step by step.
- 3 Compact (small and sturdy) and easy to handling.
- 4 Body surface strongly treated to prevent corrosion by nickel plating or alloy plating (black).
- 5 Various sizes, forces, strokes with customizing models are available.
- 6 Temperature range : -40 ~ 90°C



GRAPH



ICD SERIES ORDERING INFORMATION

ICD - 087 - 53

Nominal stroke

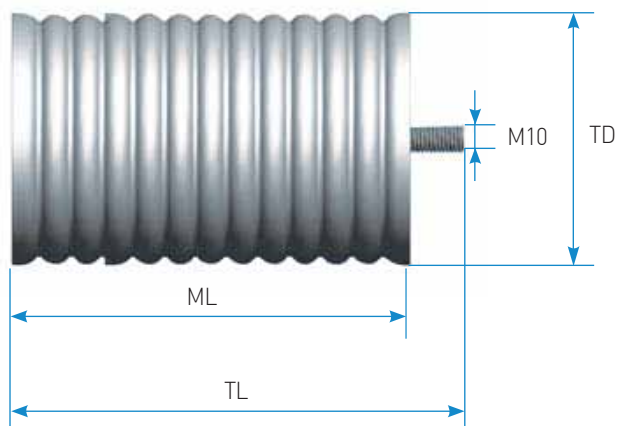
Tube outer diameter

I : IZMAC
C : Crash
D : Damper

ICD87 Series

■ Dimensions & Engineering Data

Model	TD	ML	TL	Thread	stroke[mm]	Force[kN]	Energy[J]
ICD - 87 - 53	87.5	110	134.3	M10	53	30	1450
- 106	87.5	220	244	M10	105	30	2900



■ How to use

